

AERIAL WORK PLATFORMS

SUNWARD
INNOVATION LEADS TO VALUE

ELECTRIC ARTICULATED BOOM LIFT

SWA 16JE

Working Height: **15.8 m**

Platform Capacity: **230 kg**

Operating Weight: **7 800 kg**



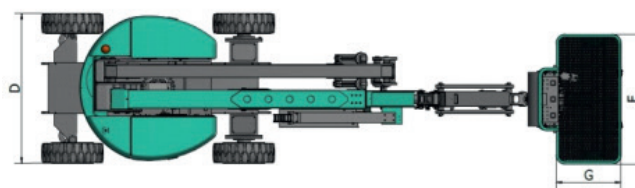
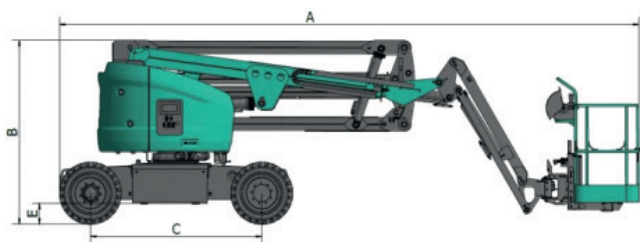
TECHNICAL PARAMETERS

DIMENSIONS	Maximum platform height	14 m
	Maximum working height	16 m
	Maximum horizontal span	8.02 m
	Maximum horizontal span height	7.6 m
	A Length - retracted	6.93 m
	Length - transported	5.9 m
	B Height - retracted	2.17 m
	C Wheel base	2.25 m
	D Overall width	2.3 m
	E Ground clearance - intermediate	0.35 m
PERFORMANCE	F Length of working platform	1.83 m
	G Width of working platform	0.76 m
	Rated load	250 kg
	Maximum number of workers	2
	Platform rotation	160°
	Rotary turntable	360° continuously
	Turntable tail swing	0
	Travel speed (retracted)	6.8 km/h
	Travel speed (extended)	1.1 km/h
	Turning radius (inner/outer)	2.09 m / 4.98 m
	Gradeability - four-wheel drive - retracted	45%
	Maximum allowable working angle	5°
	Power source	Kubota v2403
	Engine power	36.4 kW
	Engine power speed	2 600 rpm
	Auxiliary power unit	12 V
	Hydraulic oil tank capacity	82 L
	Fuel tank capacity	63.8 L
Tyre	33x12-20	
Overall weight	7 500 kg	

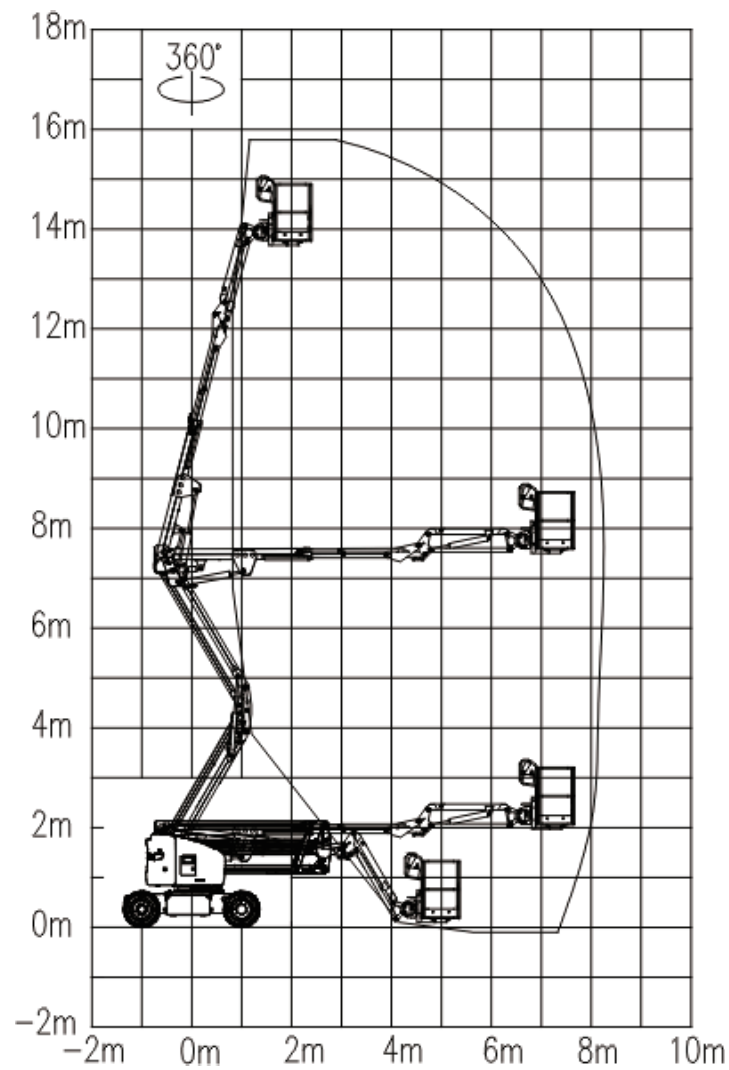
* Working height is equal to platform height plus 2m.

* Gradeability is suitable for driving on slopes; for details, please refer to the Operator's Manual for slope grades.

DIMENSIONS



WORKING RANGE



STANDARD FEATURES

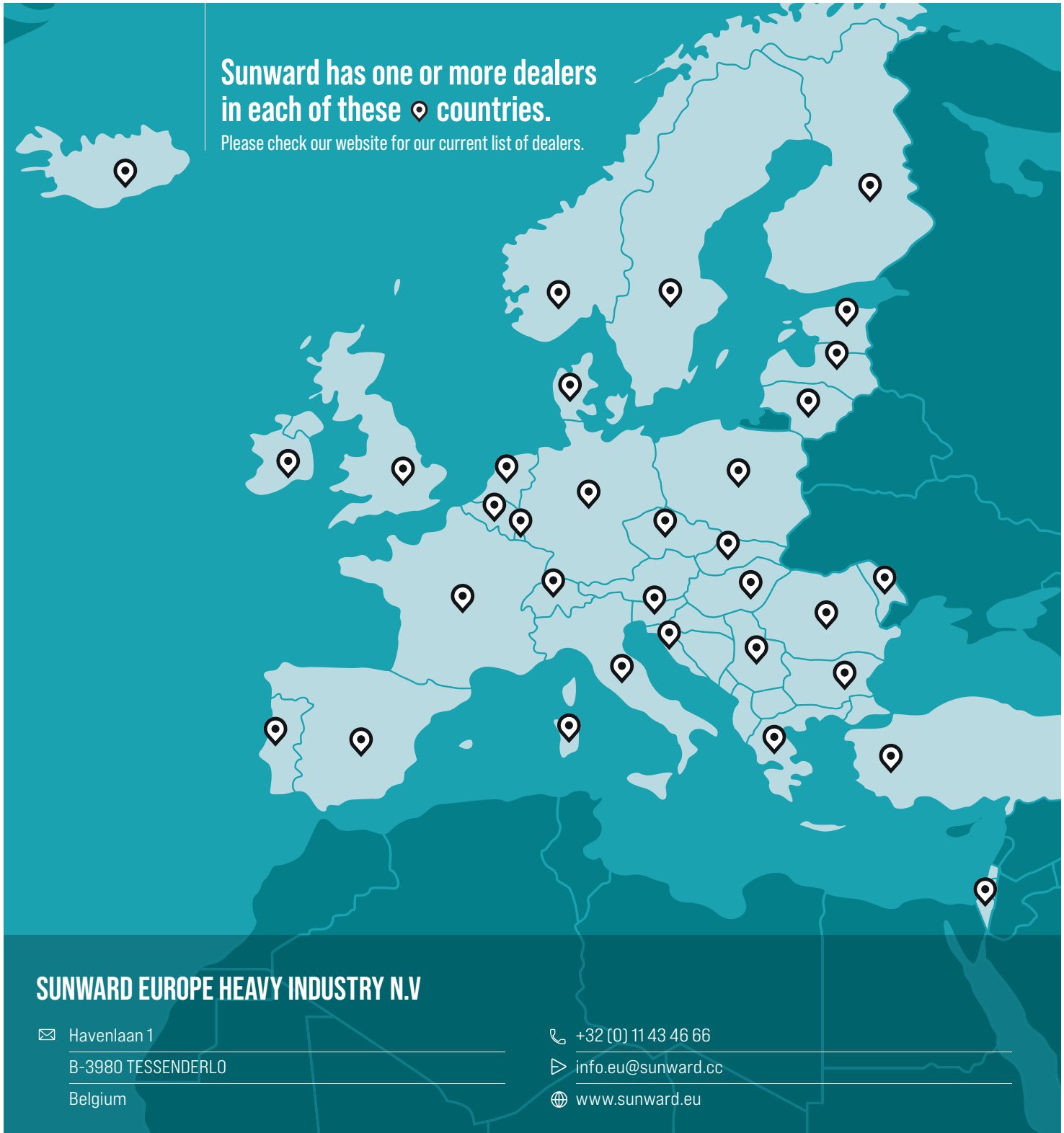
Proportional control	Emergency pump	Horn	Load-sensing-system
Standard 4x4 drive	Swing axle chasis	Strobe light	Tilt protection system
Spin out engine tray	Working timer	Hysrostatic pressure automatic leveling system	Remote communication system
Turntable 360° continous rotation	Buzzer	Emergency descending system	Fault diagnosis system

OPTIONS FEATURES

Air pipe to platform	AC power connected to the platform	GPS tracking system	Platform work lamp
Biodegradable hydraulic oil	Foam filled tyre		

Sunward has one or more dealers
in each of these  countries.

Please check our website for our current list of dealers.



SUNWARD EUROPE HEAVY INDUSTRY N.V

✉ Havenlaan 1
B-3980 TESSENDERLO
Belgium

☎ +32 (0) 11 43 46 66
▶ info.eu@sunward.cc
🌐 www.sunward.eu

CE_EU_L2_SWA161E-20230524_EN_EU

DEALER CONTACTS